

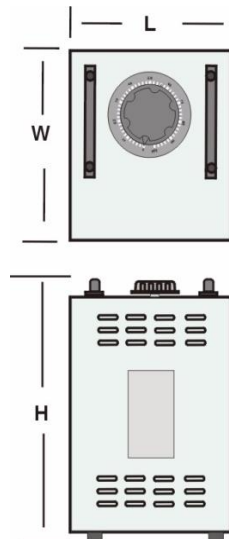
Dimmer Dot - Variable AC Voltage Auto Transformer

Three Phase - (P) Portable / Enclosed - Air Cooled - Manual



SPECIFICATIONS

Three Phase Portable / Enclosed						
Input: 400 / 415 volts 50 Hz						
Output: 0 - 450 / 470 volts						
Type	Nom. Amps	Cont. Amps	H	W	L	Wt
D- 23-P	2	1.9	410	165	145	14
D- 43-P	4	3.9	510	250	210	26
D- 83-P	8	7	550	250	200	33
D-103-P	10	9	550	280	225	40
D-153-P	15	12	555	310	245	53
D-203-P	20	17	670	405	320	73
D-283-P	28	23	700	440	370	95
See separate oil cooled specs for larger capacity						
All dimensions (mm) & weights (Kg) are approx. only						

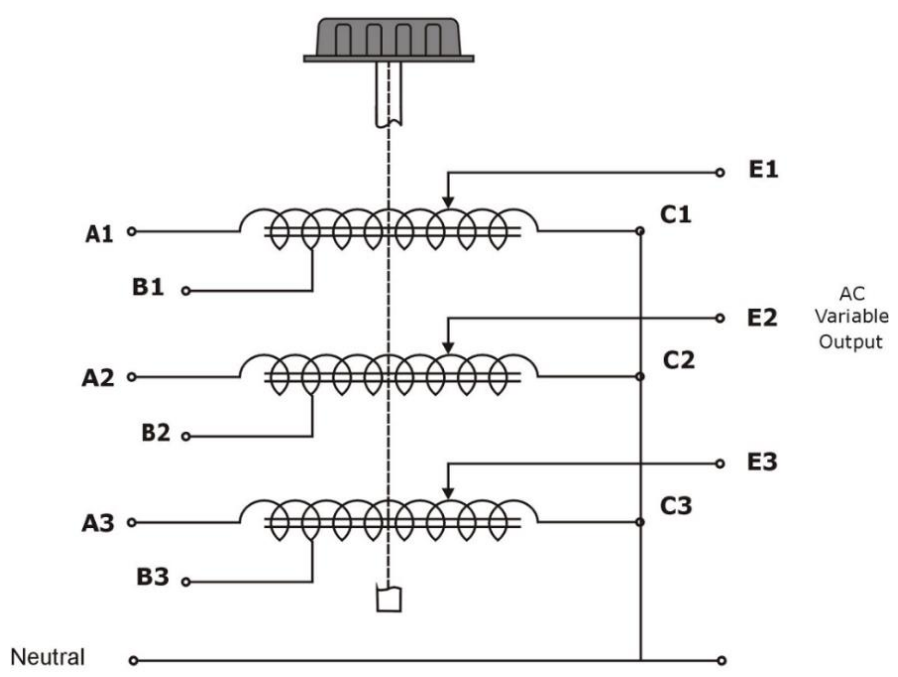


Dimmer Dot - Variable AC Voltage Auto Transformer

Three Phase - (P) Portable / Enclosed - Air Cooled - Manual



CIRCUIT DIAGRAM



400 / 415 Volt AC 50Hz Line Input to **A1, A2, A3** for 'Line voltage' Output
 400 / 415 Volt AC 50Hz Line Input to **B1, B2, B3** for 'Over voltage' Output

15 Richards Rd Hoppers Crossing Vic 3029
 Ph: 03 9369 4566 Fax: 03 9360 0975
 email: sales@ausrec.com.au
 www.australianrectifiers.com.au