

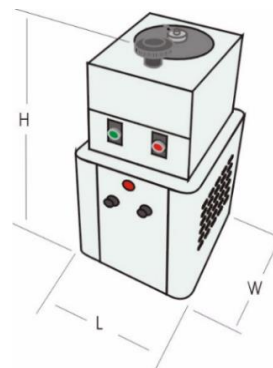
*Dimmer Dot* - Variable AC Voltage Auto Transformer

Single Phase - (P) Portable / Enclosed - Air Cooled - Motorised



**SPECIFICATIONS**

Single Phase:						
Input: 230 / 240 Volts AC 50 Hz						
Output: 0 - 260 / 270 Volts AC						
Type	Nom. Amps	Cont. Amps	H	W	L	Wt
D - 81-P-3M-15	8	7	390	340	240	18
D-101-P-3M-15	10	9	390	340	240	19
D-151-P-3M-15	15	12	390	340	240	24
D-201-P-3M-15	20	17	410	350	270	28
D-281-P-3M-15	28	23	410	380	315	34
All dimensions (mm) & weights (Kg) are approx. only						
Full sweep time: <b>Standard 15 seconds</b> Also available in 4, 8, 30, 45, 60, 90, 120 seconds						

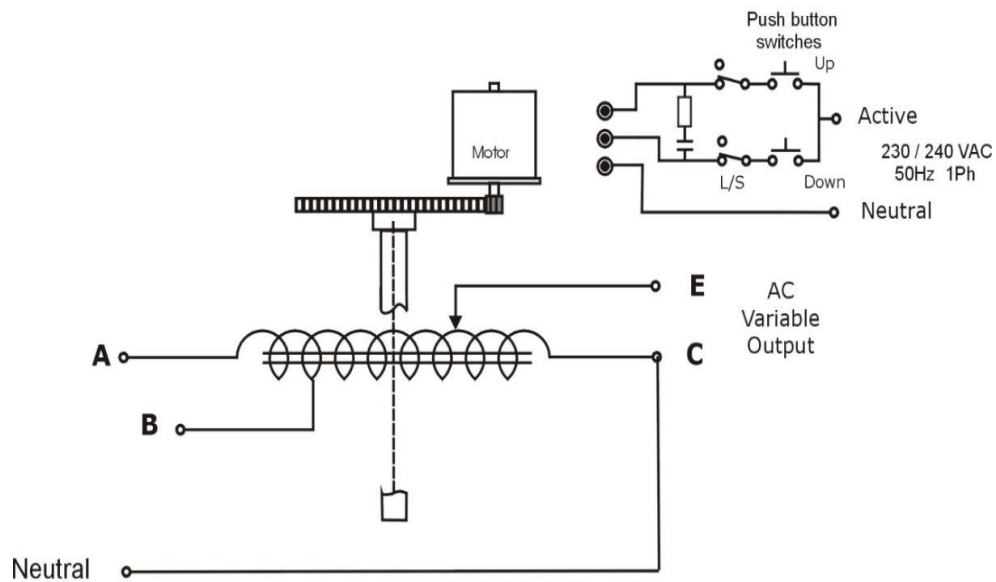


*Dimmer Dot* - Variable AC Voltage Auto Transformer

Single Phase - (P) Portable / Enclosed - Air Cooled - Motorised



**CIRCUIT DIAGRAM**



230 / 240 Volt AC 50Hz Line Input to **A** for 'Line voltage' Output  
 230 / 240 Volt AC 50Hz Line Input to **B** for 'Over voltage' Output