

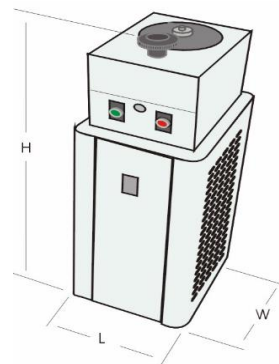
*Dimmer Dot* - Variable AC Voltage Auto Transformer

Three Phase - (P) Portable / Enclosed - Air Cooled - Motorised



**SPECIFICATIONS**

Three Phase:						
Input: 400 / 415 Volts AC 50 Hz						
Output: 0 - 450 / 470 Volts AC						
Type	Nom. Amps	Cont. Amps	H	W	L	Wt
D - 83-P-3M-15	8	7	680	280	200	38
D-103-P-3M-15	10	9	680	280	225	42
D-153-P-3M-15	15	12	710	310	245	58
D-203-P-3M-15	20	17	815	405	320	78
D-283-P-3M-15	28	23	825	440	360	98
All dimensions (mm) & weights (Kg) are approx. only						
Full sweep time: <b>Standard 15 seconds</b> Also available in 4, 8, 30, 45, 60, 90, 120 seconds						

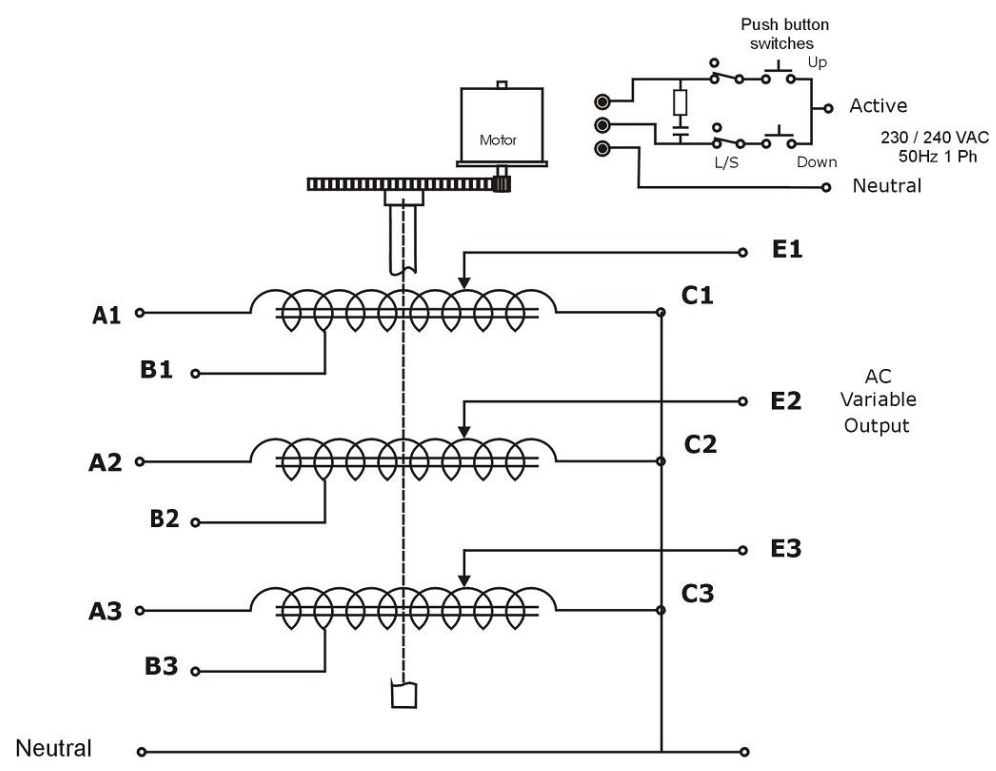


*Dimmer Dot* - Variable AC Voltage Auto Transformer

Three Phase - (P) Portable / Enclosed - Air Cooled - Motorised



**CIRCUIT DIAGRAM**



400 / 415 Volt AC 50Hz Line Input to **A1, A2, A3** for 'Line voltage' Output  
400 / 415 Volt AC 50Hz Line Input to **B1, B2, B3** for 'Over voltage' Output